

# Planos y detalles técnicos de aplicaciones de espuma intumescente CFS-F FX



- Aplicaciones para sellado de pasos de conductos de acero y plástico

## Steel conduits

- |   |                |
|---|----------------|
| • 100 mm flexible wall (max opening 400x400 or $\varnothing$ 400) | CAB-FW-CD-0081 |
| • 100 mm rigid wall (max opening 400x400 or $\varnothing$ 400)    | CAB-RW-CD-0096 |

## Plastic conduits

- |   |                |
|---|----------------|
| • 100 mm flexible wall (max opening 400x400 or $\varnothing$ 400) | CAB-FW-CD-0082 |
| • 100 mm rigid wall (max opening 400x400 or $\varnothing$ 400)    | CAB-RW-CD-0097 |

## Steel and plastic conduits

- |   |                |
|---|----------------|
| • 200 mm flexible wall (max opening 400x400 or $\varnothing$ 400) | CAB-FW-CD-0083 |
| • 200 mm rigid wall (max opening 400x400 or $\varnothing$ 400)    | CAB-RW-CD-0098 |
| • 200 mm rigid floor (max opening 400x400 or $\varnothing$ 400)   | CAB-RF-CD-0108 |

- Todos los planos estan disponibles en DWG (bajo demanda) en DWG para copiar directamente en sus especificaciones.



CONTENTS

# Steel conduits in a flexible wall

ID

CAB-FW-CD-0081

## FIRESTOP FOAM

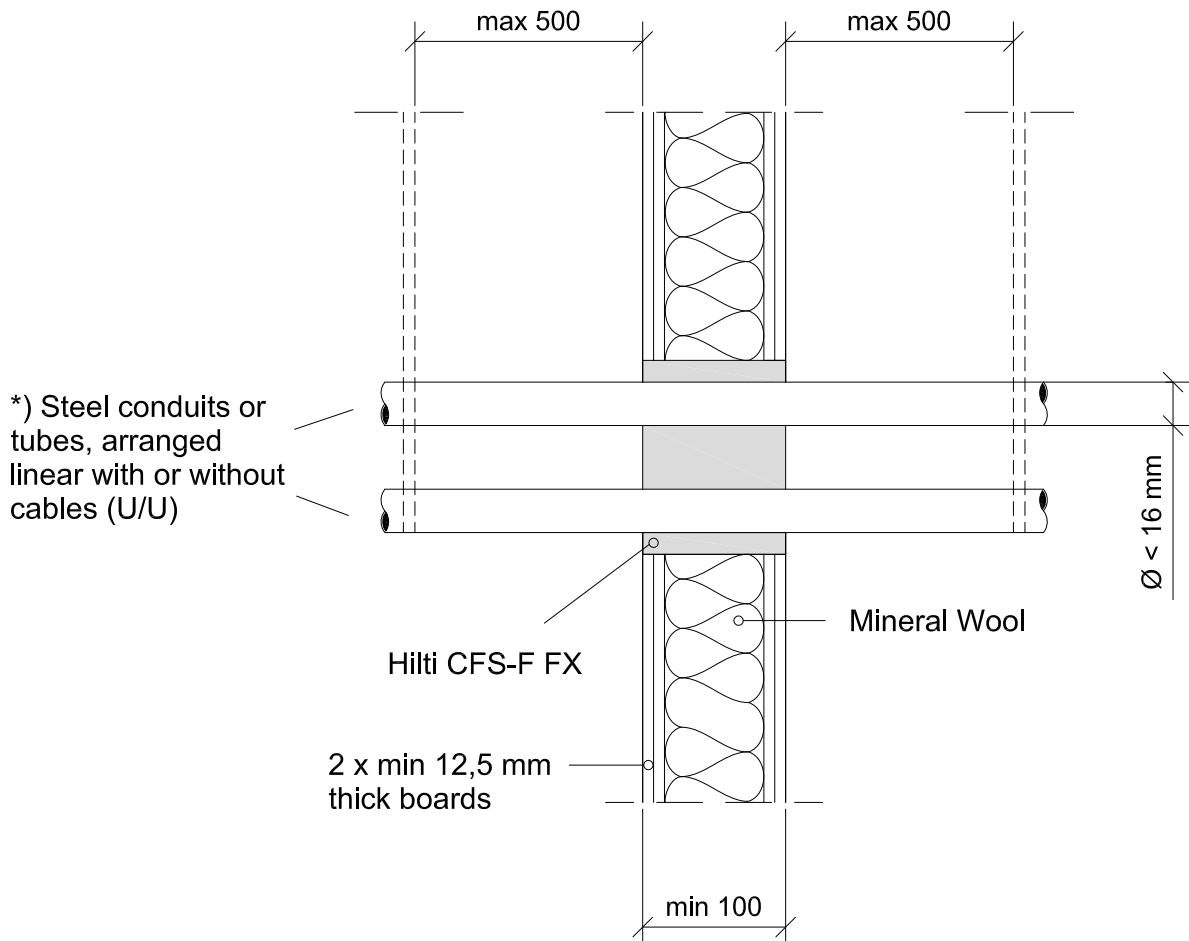
0081\_01

REV  
00

No scale

All units are in millimetres

Fire Rating EI 90



\*) Steel conduits or tubes, arranged linear with or without cables (U/U)

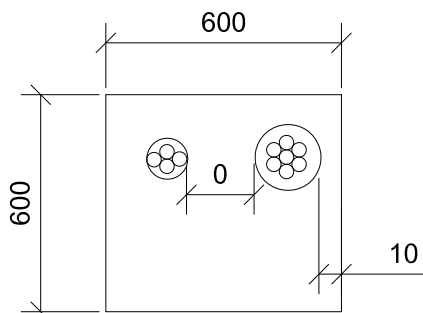
Sound Insulation for flexible wall

$$D_{n,w} = 69 \text{ dB}$$

$$R_w = 61 \text{ dB}$$

\*) The field of application is also valid for other metal conduits or tubes with lower heat conductivity than unalloyed steel and a melting point of minimum 1050°C.

- Approval ETA-10/0109 of 11/04/2014
- Reaction to fire acc EN 13501-1
- Fire resistance test acc 1366-3
- Installation according to Hilti instructions



Max. opening 600x600 or  $\varnothing$  600 mm  
Total amount of services (including insulation) is equal or lower than 60 % of the penetration surface.



CONTENTS

Plastic conduits in a flexible wall

ID

CAB-FW-CD-0082

FIRESTOP FOAM

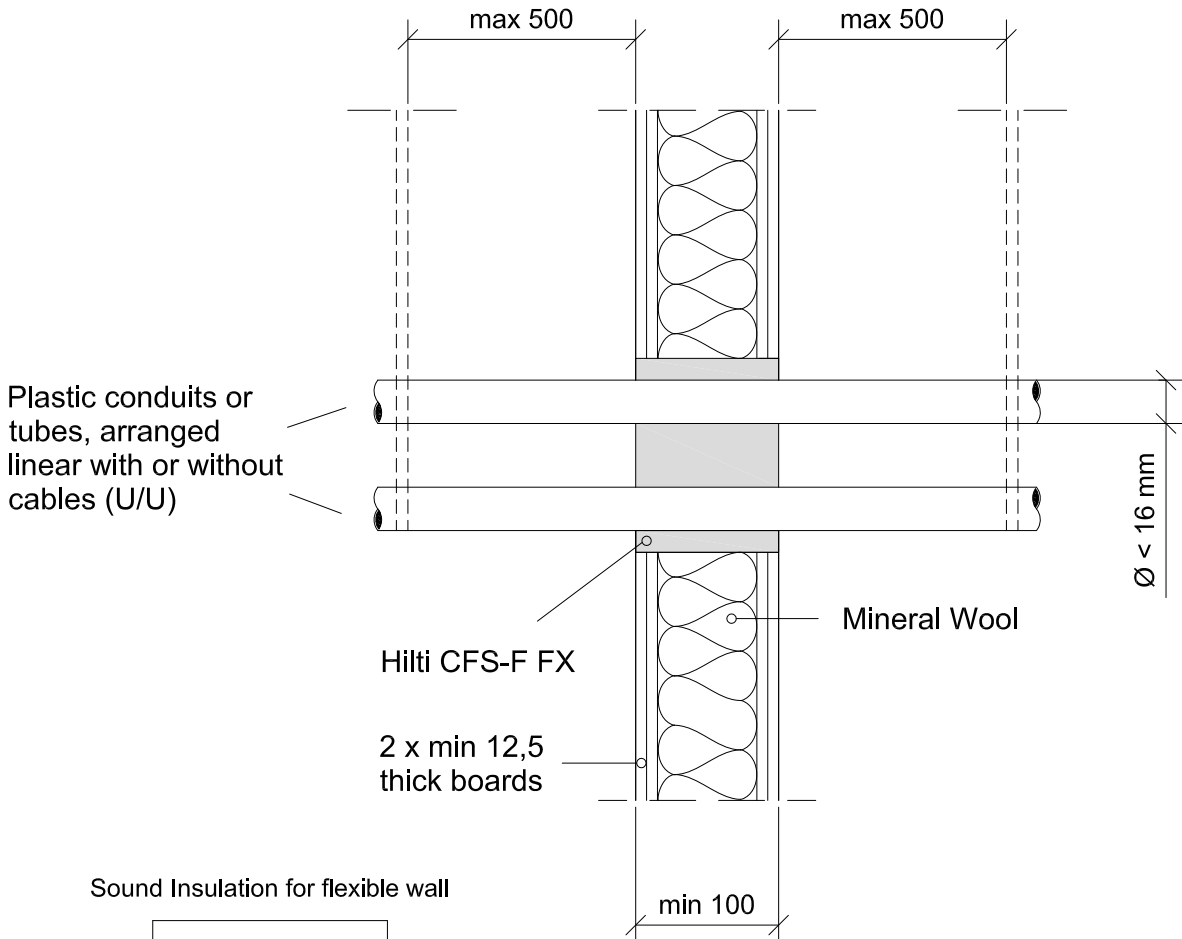
0082\_01

REV  
00

No scale

All units are in millimetres

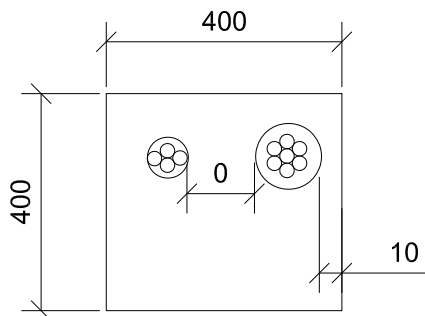
Fire Rating EI 120 U/U



Sound Insulation for flexible wall

$$D_{n,w} = 69 \text{ dB}$$

$$R_w = 61 \text{ dB}$$



- Approval ETA-10/0109 of 11/04/2014
- Reaction to fire acc EN 13501-1
- Fire resistance test acc 1366-3
- Installation according to Hilti instructions

Max. opening 400x400 or  $\varnothing$  400 mm

Total amount of services(including insulation) is equal or lower than 60 % of the penetration surface.



CONTENTS

# Steel and plastic conduits in a flexible wall

ID

CAB-FW-CD-0083

## FIRESTOP FOAM

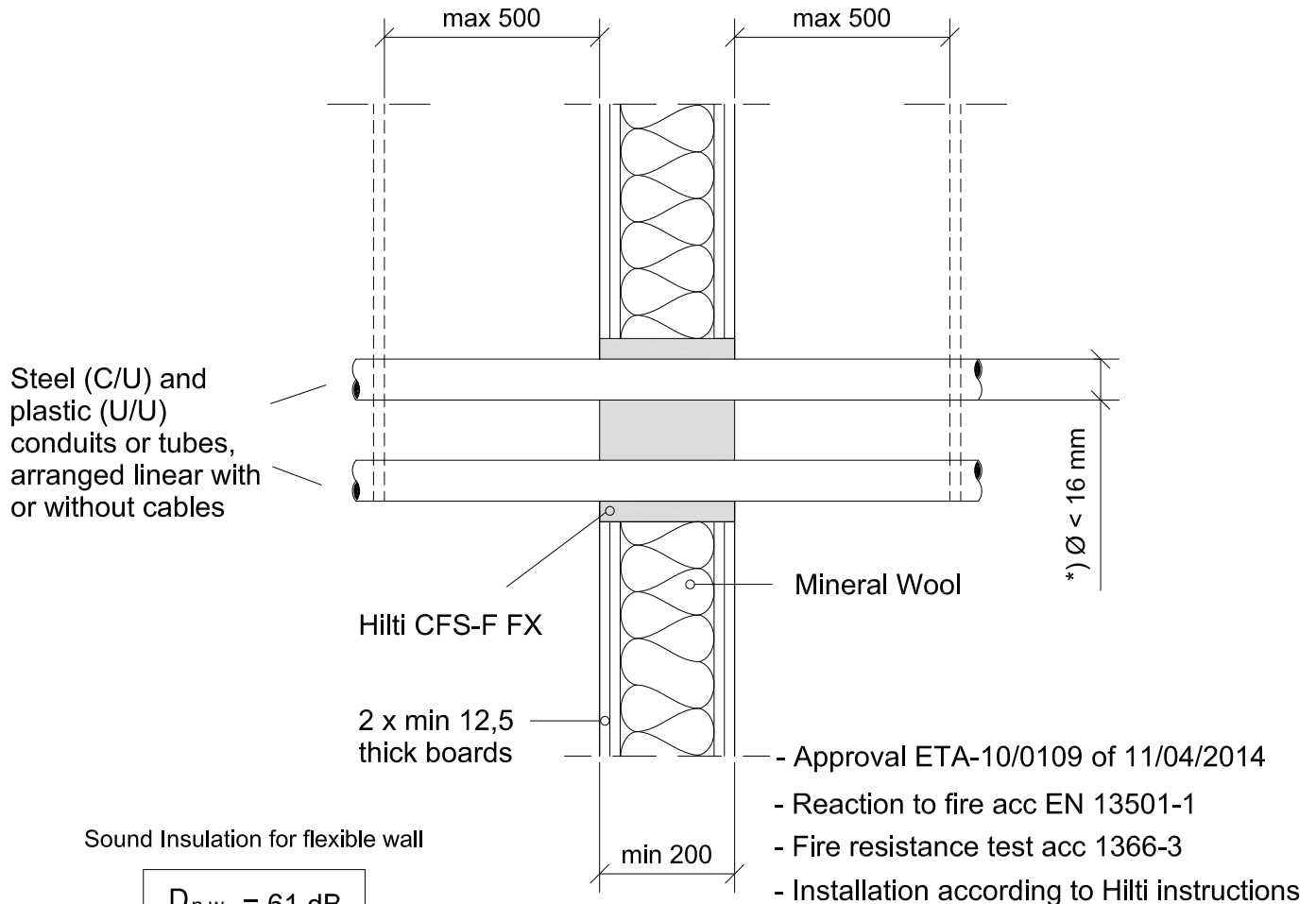
0083\_01

REV  
00

No scale

All units are in millimetres

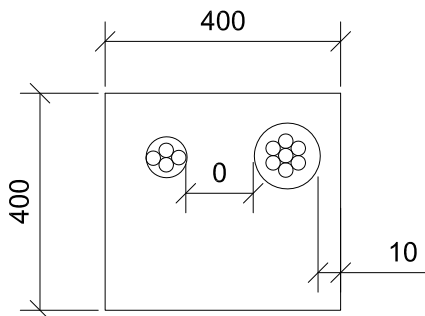
Fire Rating EI 120



Sound Insulation for flexible wall

$D_{n,w} = 61 \text{ dB}$
$R_w = 69 \text{ dB}$

\*) Valid also for flexible and rigid plastic conduits (Polyolefin, PVC),  $\varnothing < 32 \text{ mm}$  and for bundle of plastic conduits,  $\varnothing < 100$



Max. opening 400x400 or  $\varnothing 400 \text{ mm}$

Total amount of services(including insulation) is equal or lower than 60 % of the penetration surface.



CONTENTS

# Steel conduits in a rigid wall

ID

CAB-RW-CD-0096

FIRESTOP FOAM

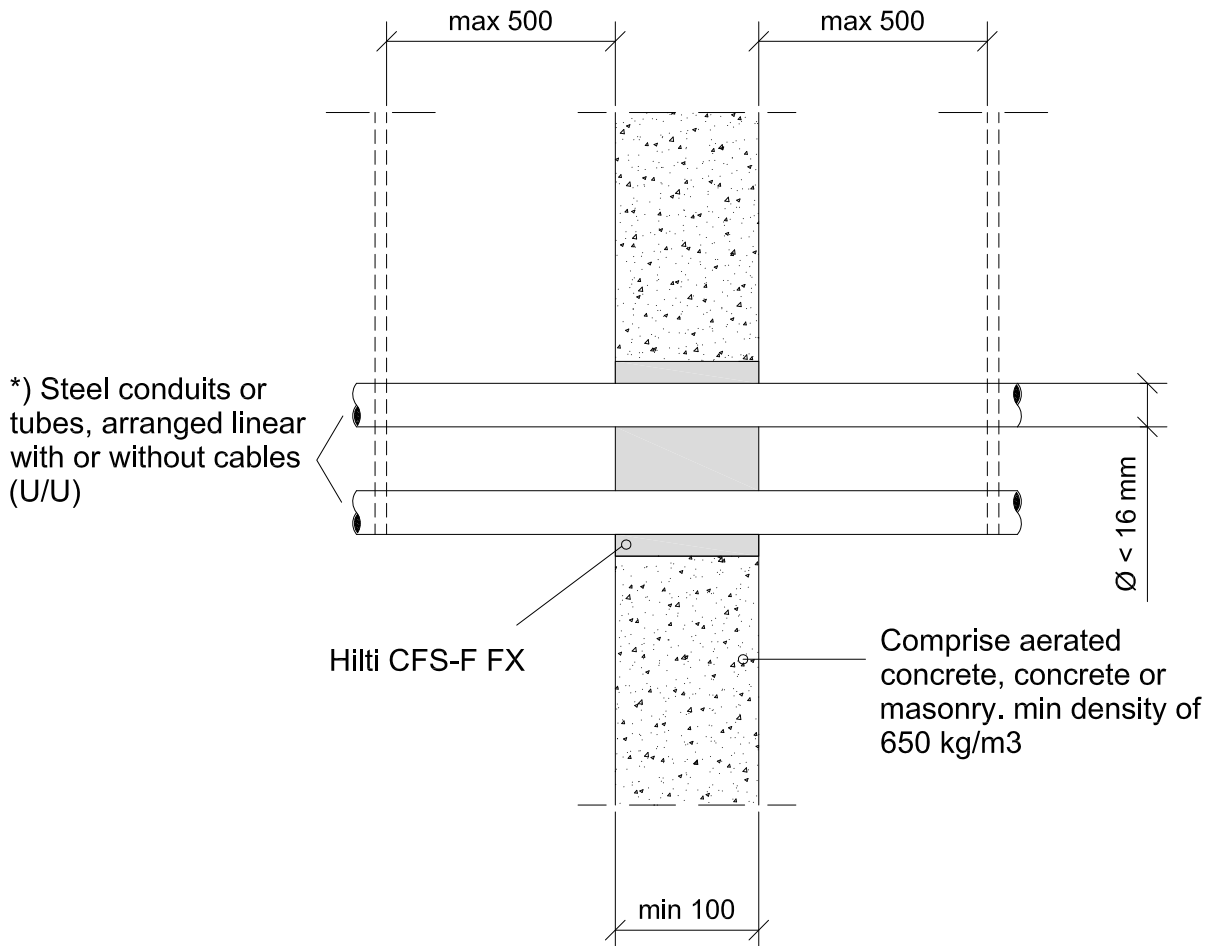
0096\_01

REV  
00

No scale

All units are in millimetres

Fire Rating EI 90



\*) Steel conduits or tubes, arranged linear with or without cables (U/U)

Hilti CFS-F FX

Comprise aerated concrete, concrete or masonry. min density of 650 kg/m<sup>3</sup>

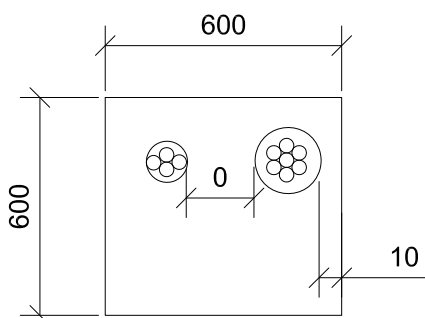
Sound Insulation for rigid wall

$$D_{n,w} = 69 \text{ dB}$$

$$R_w = 61 \text{ dB}$$

\*) The field of application is also valid for other metal conduits or tubes with lower heat conductivity than unalloyed steel and a melting point of minimum 1050°C.

- Approval ETA-10/0109 of 11/04/2014
- Reaction to fire acc EN 13501-1
- Fire resistance test acc 1366-3
- Installation according to Hilti instructions



Max. opening 600x600 or Ø 600 mm

Total amount of services (including insulation) is equal or lower than 60 % of the penetration surface.



CONTENTS

Plastic conduits in a rigid wall

ID

CAB-RW-CD-0097

FIRESTOP FOAM

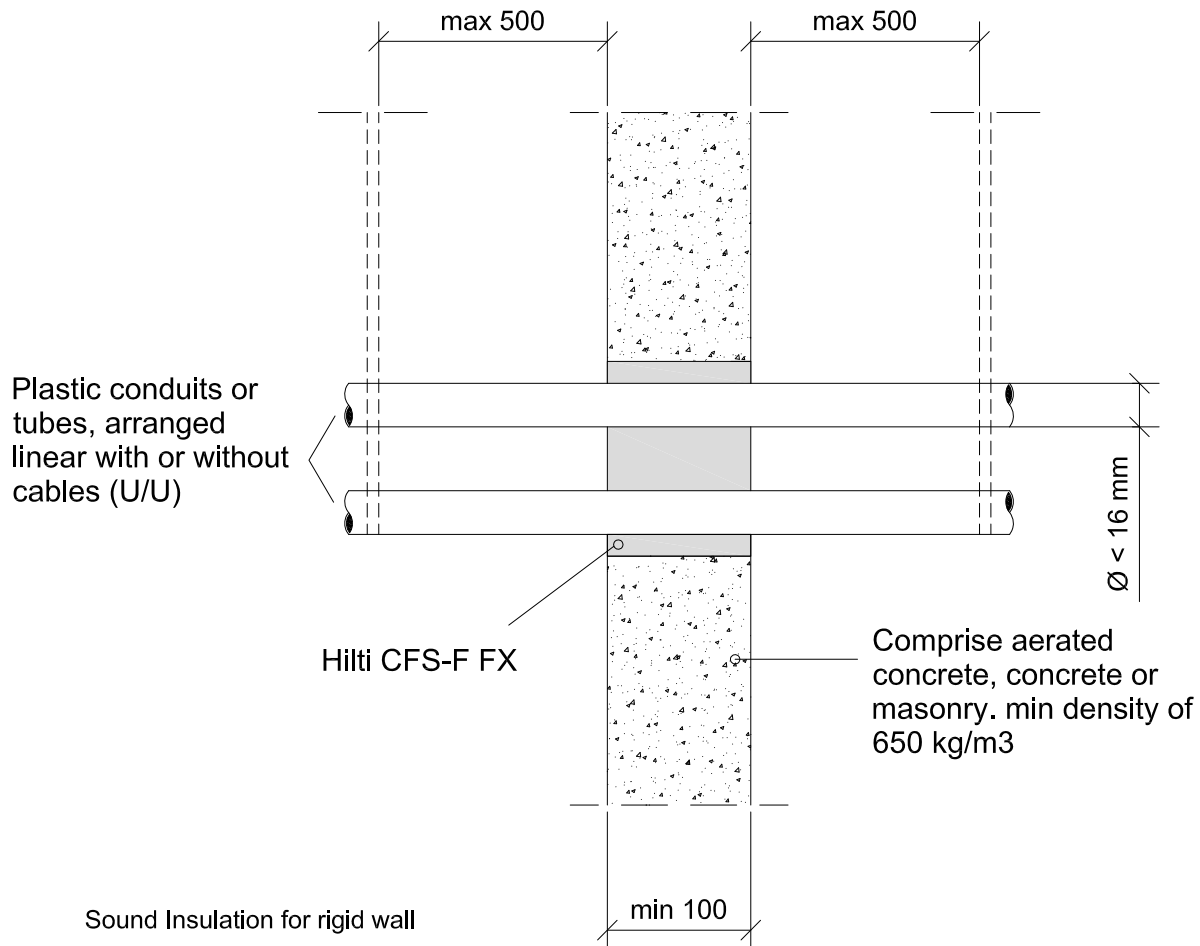
0097\_01

REV  
00

No scale

All units are in millimetres

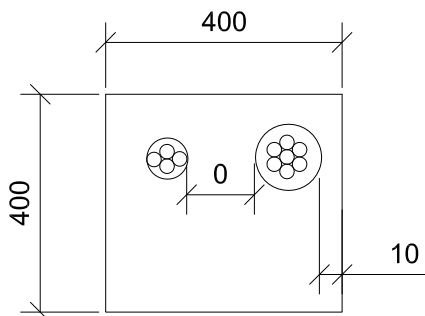
Fire Rating EI 120



Sound Insulation for rigid wall

$$D_{n,w} = 69 \text{ dB}$$
$$R_w = 61 \text{ dB}$$

- Approval ETA-10/0109 of 11/04/2014
- Reaction to fire acc EN 13501-1
- Fire resistance test acc 1366-3
- Installation according to Hilti instructions



Max. opening 400x400 or  $\varnothing$  400 mm

Total amount of services (including insulation) is equal or lower than 60 % of the penetration surface.



CONTENTS

Steel and plastic conduits in a rigid wall

ID

CAB-RW-CD-0098

FIRESTOP FOAM

0098\_01

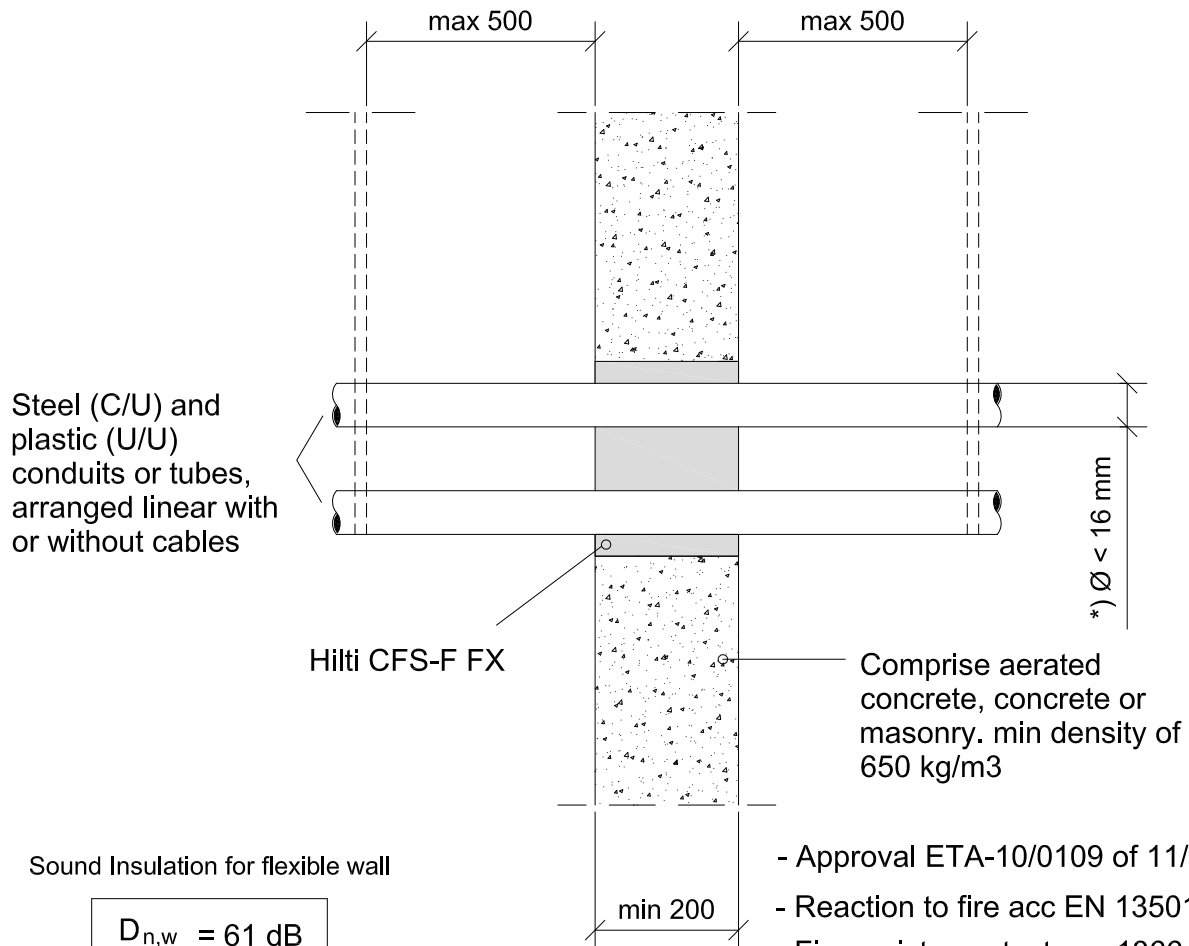
REV

00

No scale

All units are in millimetres

Fire Rating EI 120

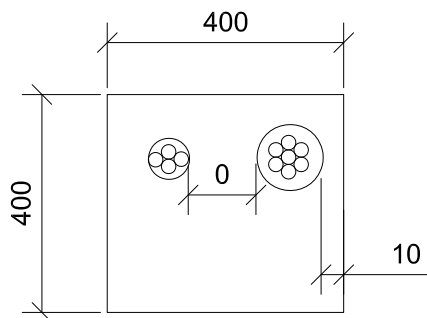


Sound Insulation for flexible wall

$D_{n,w} = 61 \text{ dB}$   
 $R_w = 69 \text{ dB}$

- Approval ETA-10/0109 of 11/04/2014
- Reaction to fire acc EN 13501-1
- Fire resistance test acc 1366-3
- Installation according to Hilti instructions

\*) Valid also for flexible and rigid plastic conduits (Polyolefin, PVC),  $\varnothing < 32 \text{ mm}$  and for bundle of plastic conduits,  $\varnothing < 100$



Max. opening 400x400 or  $\varnothing 400 \text{ mm}$

Total amount of services (including insulation) is equal or lower than 60 % of the penetration surface.



CONTENTS

Steel and plastic conduits in a rigid floor

ID

CAB-RF-CD-0108

FIRESTOP FOAM

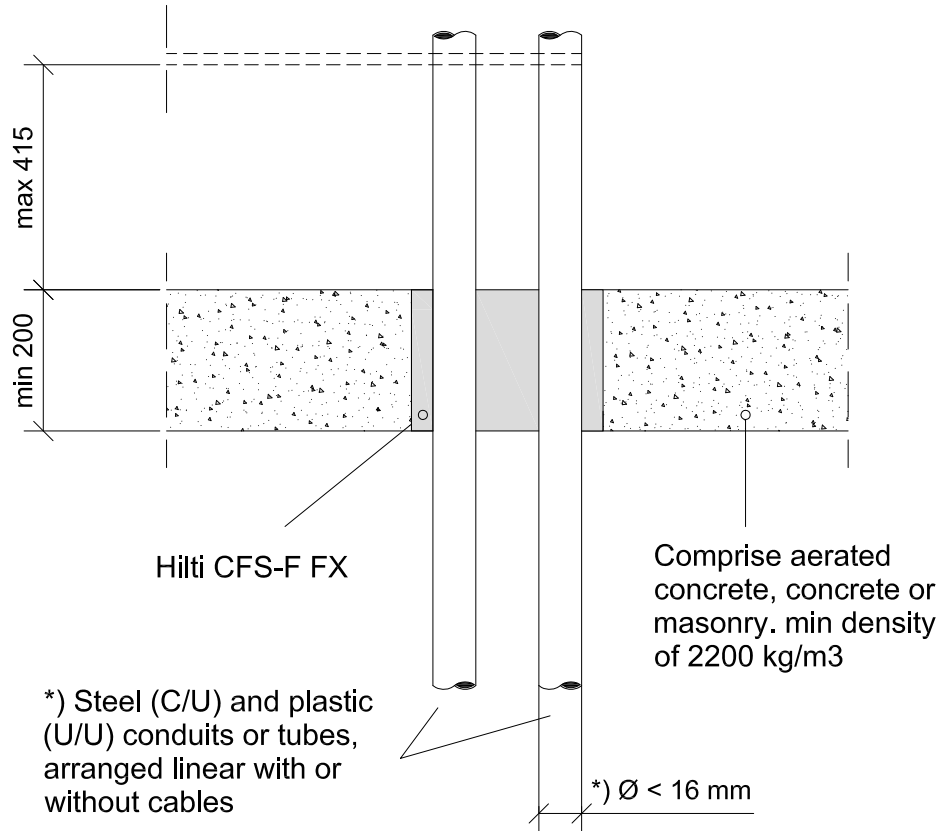
0108\_01

REV  
00

No scale

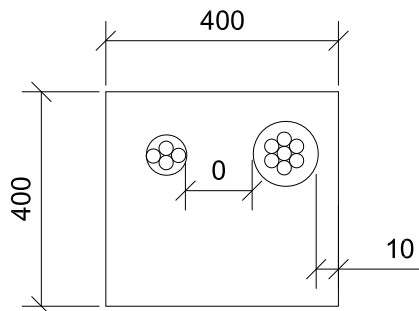
All units are in millimetres

Fire Rating EI 120



- Approval ETA-10/0109 of 11/04/2014
- Reaction to fire acc EN 13501-1
- Fire resistance test acc 1366-3
- Installation according to Hilti instructions

\* ) Valid also for flexible and rigid plastic conduits (Polyolefin, PVC),  $\varnothing < 32$  mm and for bundle of plastic conduits,  $\varnothing < 100$  mm



Max. opening 400x400 or  $\varnothing 400$  mm

Total amount of services (including insulation) is equal or lower than 60 % of the penetration surface.